



# Qoltec®

## USER MANUAL CODE LOCK EM



Model: 52442

Model: 52443

www.qoltec.com

### WPROWADZENIE

Thank you for your trust and for choosing Qoltec code lock. We are confident that the product will satisfy your expectations. This manual will guide you through the installation and use of the product includes important safety instructions for proper operation and installation. After reading this manual, don't hesitate to get in touch with our Customer Service Department if you have any questions.

### 1. Specification

#### 1.1 Technical parameters

Card type	EM
Type of transmission	RFID
Operating mode	Code/card/proximity tag
Degree of protection	IP68
Doorbell button	Yes (for model 52442)
Nominal voltage	DC12V
Frequency	125kHz
Number of relay outputs	One
Load capacity	<100mA
Max. number of users	1000
Installation	Surface mounting
Proximity reader	Yes
Keypad	Yes
Backlight	Yes
Working temperature	-25°C ~ 60°C
Read range	1-5cm
Device size (LxWxH)	130 x 58 x 24mm
Net weight of device (G)	400

#### 1.2 Factory default settings

Item	Value
Authentication mode	Card or PIN
Unlocking duration	5 seconds
Common PIN	None

#### 1.3 Light and Sound indicates

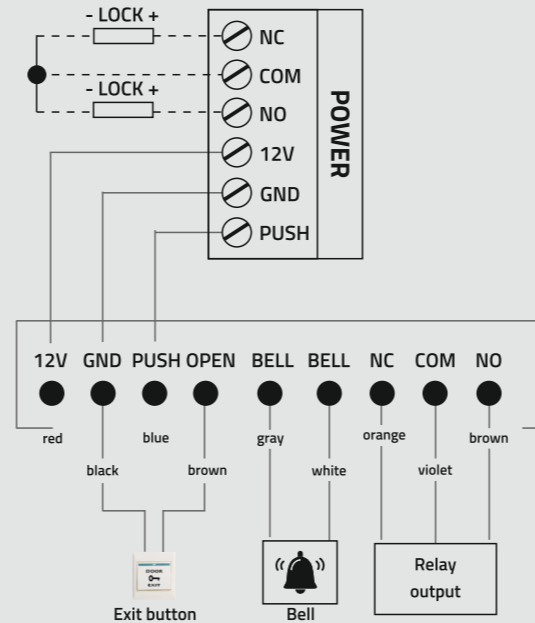
Light: red and green

Light Description	Indications
Red light flash every 2 seconds (slow flash)	Standby state
Green light flash every 0.5 seconds (fast flash)	Oczekiwanie na dalsze działanie
Red light is always ON	Programming state
Green light is always ON	Unlocking state
Red and green light flash alternately	Restoring factory programming password

Sound: beep

Description	Indicates
1 short beep	Valid input
3 short beeps	Invalid input
1 long beep	Programming state
3 long beeps	Restoring Factory Programming Password

### 2. Installations Guide



### 3. Programming Guide

3.1 Detailed Programming Guide:  
Programming Password Default: 123456.

	Purpose	Operation	Remark
Basic function	Change programming password	# programming password # 0 new programming password #	If programming password lost, perform 3.2 to reset to factory default (123456)
	Add user card	# programming password # 1 read card #	If add multi cards, read cards continuously
	Set common access password	# programming password # 21 new common access password #	Common access password is only one. Open method: common access password #
	Delete all users	# programming password # 40 0000 #	Delete all cards and PIN except common access password
	Delete users by read card	# programming password # 41 read card #	If delete multi cards, read cards continuously
Expand function	Add private access password (PIN)	# programming password # 22 PIN #	PIN can be more, unlock door method: PIN #
	Add card by input card No.	# programming password # 23 input card No. #	Card No. is 10-digit or 8-digit, machine auto-identify
	Add multi-card by input card No. zone	# programming password # 24 input start card No. card Qty #	Card Qty is 4-digit (If one-time add twenty cards, input 0020)
	Add "card +PIN"	# programming password # 3 read card PIN #	If modify PIN, see point 3.5
	Delete user by input User ID No.	# programming password # 42 input user ID No. #	About User ID No. see point 3.4
	Delete user by input card No.	# programming password # 43 input card No. #	Card No. is 10-digit or 8-digit, machine auto-identify
	Delete user by input PIN	# programming password # 44 input PIN #	PIN is 3-6 digits.
	Delete all PIN users	# programming password # 45 1111 #	Use to PIN users (Do not include card users and card + PIN users)
	Change open time	# programming password # 5 XX ##	XX can be 2-digit, and the max. is 99. If input 00, the signal output time is 0.2 Secs.
	Set open mode	# programming password # 6 XX ##	XX można ustawić 01 (tylko karta)/ 02 (karta lub hasło dostępu)/ 03 (karta+PIN).
Reset factory default	# programming password # 8 99 #	Except for the programming password and the manager card	

3.2 To reset to Factory Programming Password (123456)  
1. Turn off power and connect bin 2&3 of RST(S1)  
2. Turn on power and buzzer gives 3 long buzz with green light flash fast.  
If need to set Manager Card, now read two empty cards first one as Manager Add Card and Second one as Manager Delete Card with red light flashing and continuous short buzz.  
3. Turn off power, disconnect bin2&3 and connect bin 1&2 of RST.  
4. Turn on power again.

#### 3.3 How to use Manager Card – MAC&MDC

- To add a card user in standby mode

read MAC read new cards read MAC

- - To delete a card user in standby mode:

read MDC read registered cards read MDC

- To delete all users in standby mode

read MDC read MAC read MDC

3.4 User ID No. explain  
User ID is auto-generating 4-digit number started at 0001. The number increases with adding user one by one and ignores deleting user. Common Access Password has no ID.

3.5 How to change PIN (When open mode: card+ PIN)  
After reading card and input corresponding PIN to open the door, within 5 seconds, long press # until the green lights flash fast and then input changed successfully with a long buzz.

new PIN # new PIN #

Ustawienie nowego PINu zostanie zasygnalizowane dźwiękiem.

Producer:  
NTEC sp. z o.o.  
ul. Chorzowska 44B,  
44-100 Gliwice, Poland

www.b2b.ntec.eu  
WEEE/BDO: 000137497  
Made in China  
Designed in Europe



www.qoltec.pl

